

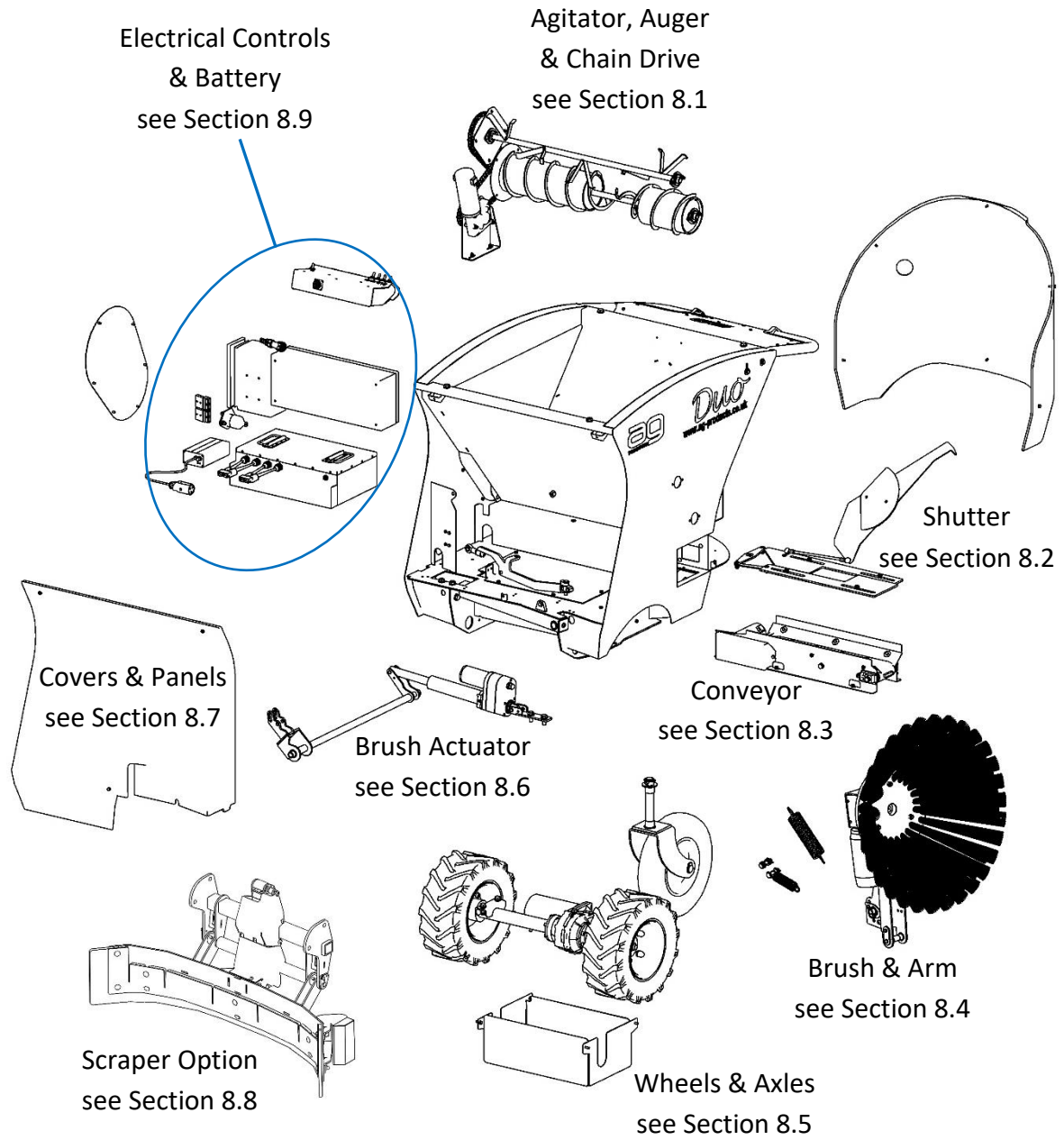
AG PRODUCTS

AG DUO

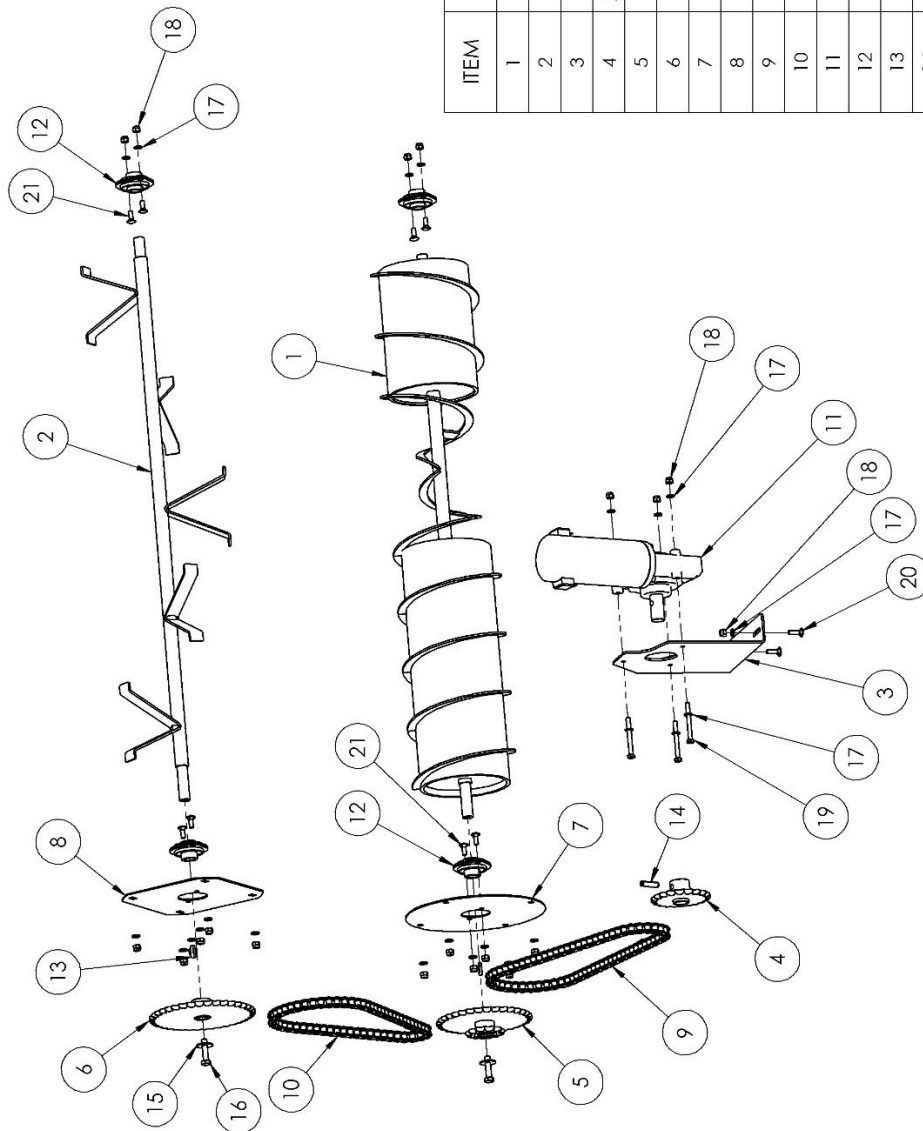


PARTS MANUAL

SPARE PARTS IDENTIFICATION



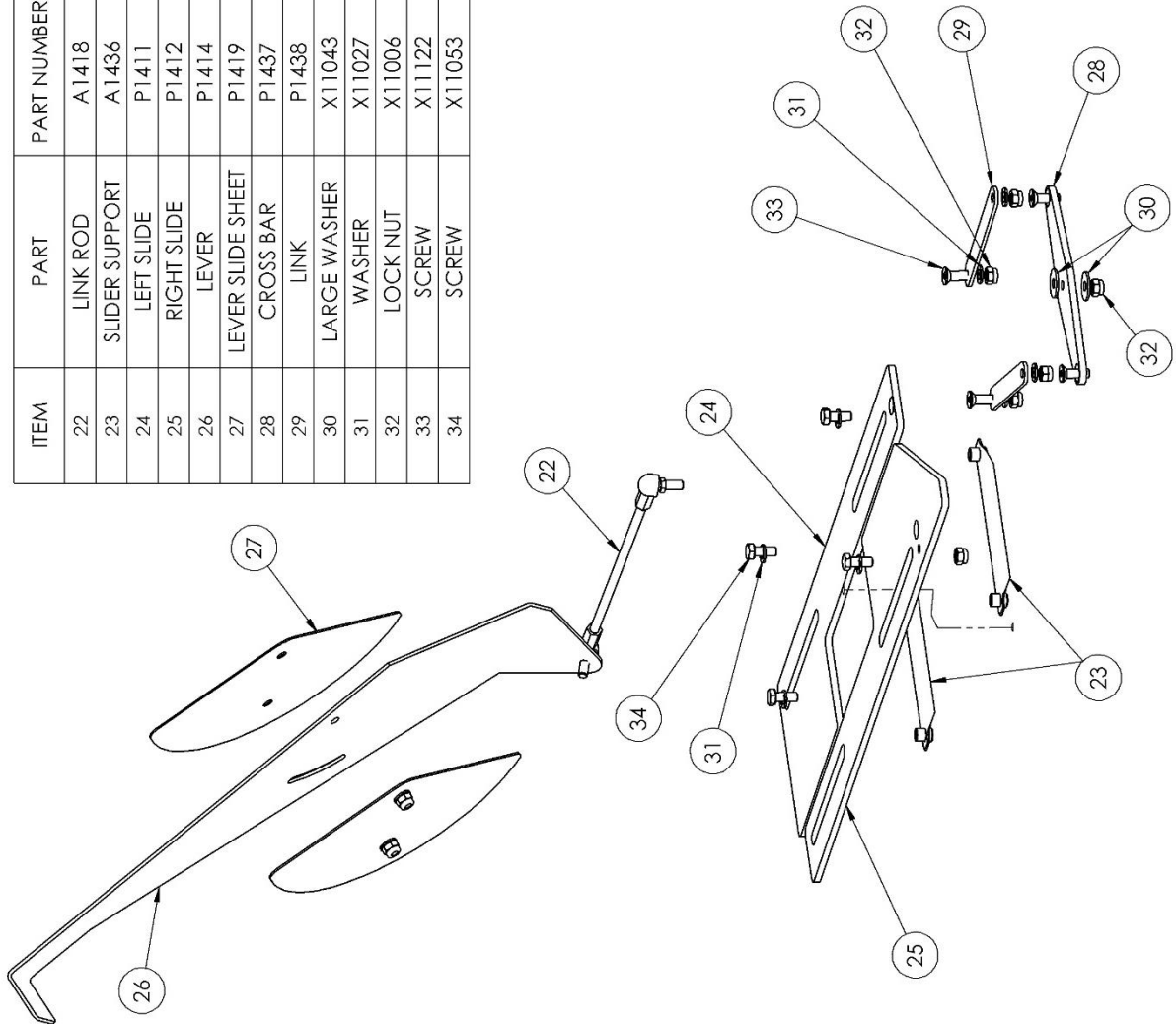
1.1 AGITATOR, AUGER & CHAIN DRIVE



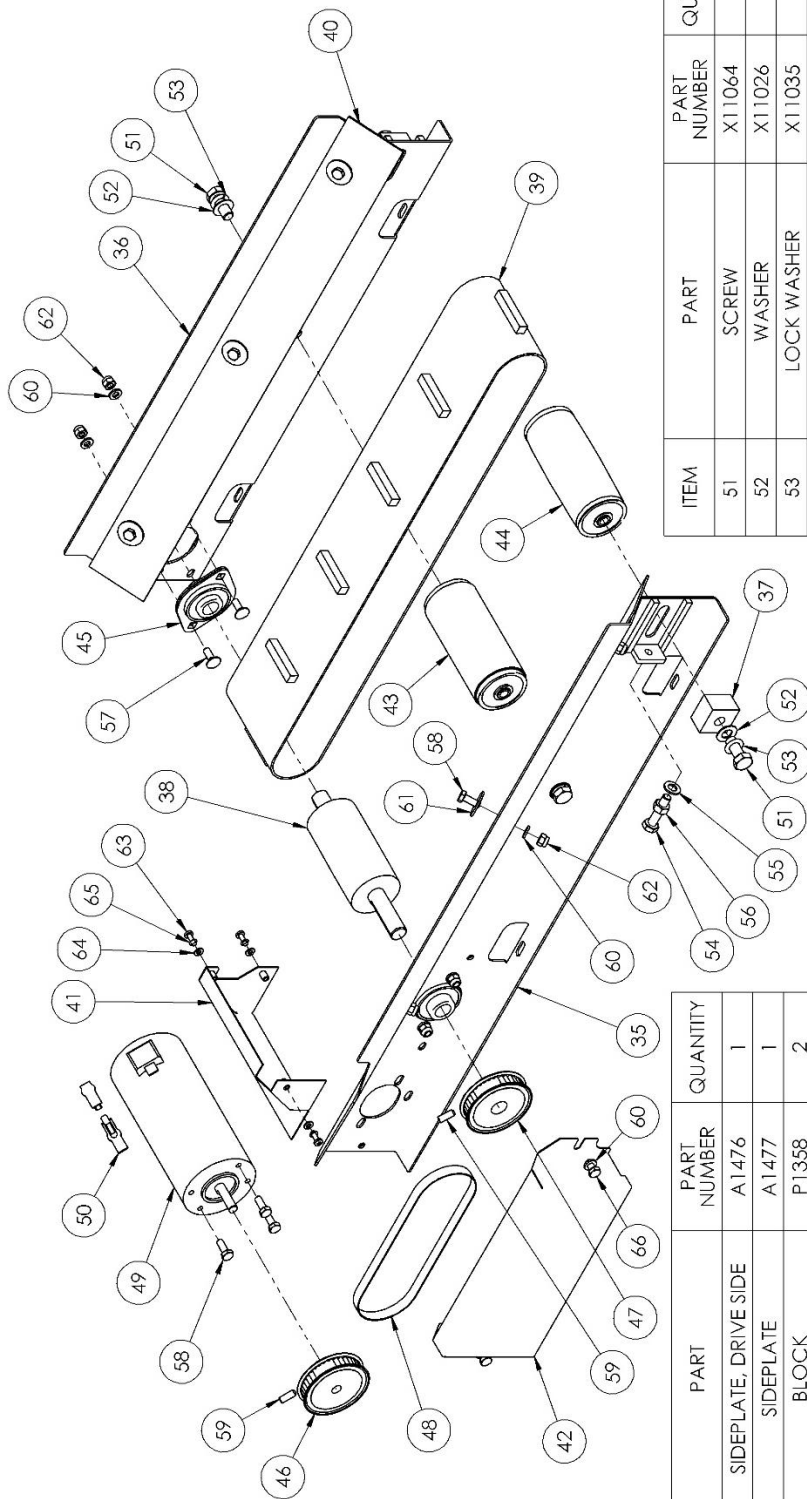
ITEM	PART	PART NUMBER	QUANTITY
1	AUGER	A1420	1
2	AGITATOR	A1423	1
3	AUGER MOTOR BRACKET	A1427	1
4	AUGER MOTOR SPROCKET	A1428	1
5	AUGER SPROCKET	A1429	1
6	AGITATOR SPROCKET	A1430	1
7	AUGER COVER PLATE	P1433	1
8	AGITATOR COVER PLATE	1434	1
9	AUGER CHAIN	P1471	1
10	AGITATOR CHAIN	P1472	1
11	GEARED MOTOR	X50152	1
12	BEARING	X21004	4
13	KEY	X21514	2
14	PIN	X11307	1
15	LARGE WASHER	X11043	2
16	SCREW	x11123	2
17	WASHER	X11029	24
18	LOCK NUT	X11013	21
19	SCREW	X11144	3
20	BOLT	X11130	2
21	BOLT	X11126	8

1.2 SHUTTER

ITEM	PART	PART NUMBER	QUANTITY
22	LINK ROD	A1418	1
23	SLIDER SUPPORT	A1436	2
24	LEFT SLIDE	P1411	1
25	RIGHT SLIDE	P1412	1
26	LEVER	P1414	1
27	LEVER SLIDE SHEET	P1419	2
28	CROSS BAR	P1437	1
29	LINK	P1438	2
30	LARGE WASHER	X11043	2
31	WASHER	X11027	10
32	LOCK NUT	X11006	8
33	SCREW	X11122	4
34	SCREW	X11053	4



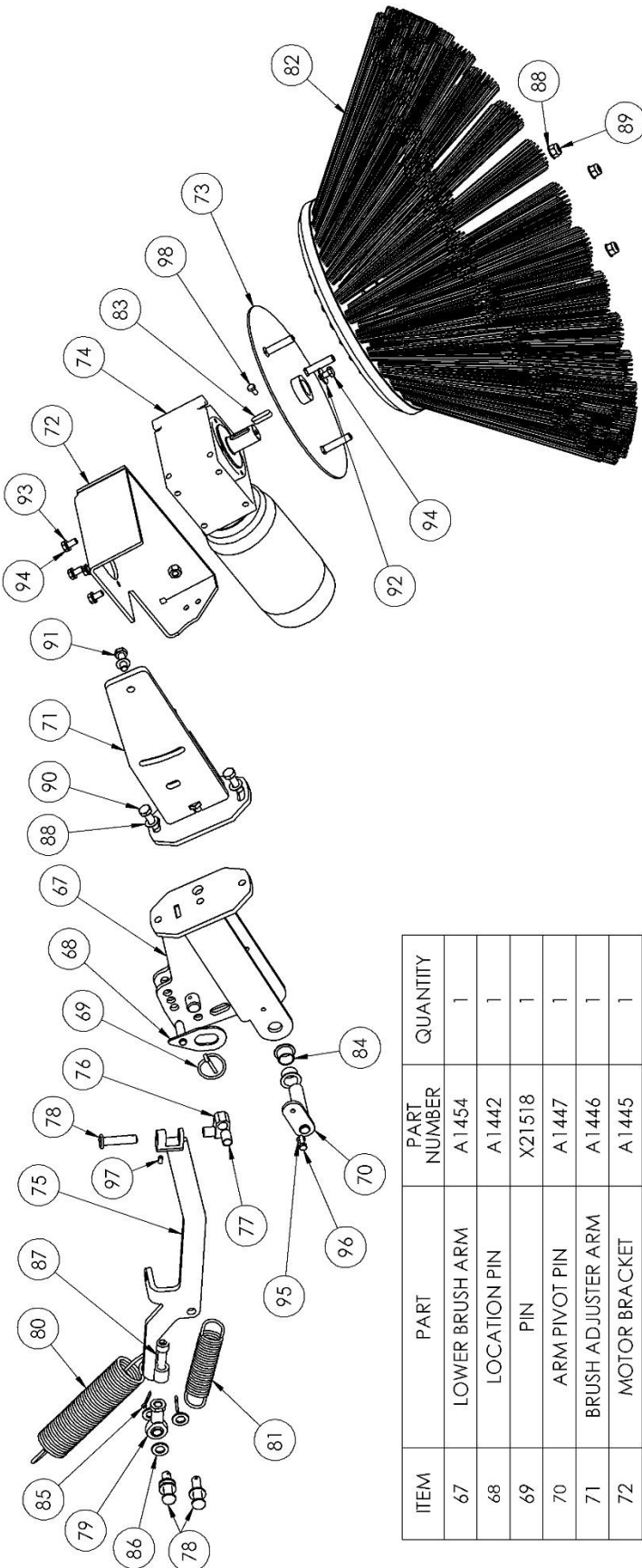
1.3 CONVEYOR



ITEM	PART	PART NUMBER	QUANTITY
51	SCREW	X11064	4
52	WASHER	X11026	4
53	LOCK WASHER	X11035	4
54	SCREW	x11123	2
55	WASHER	X11027	2
56	NUT	X11007	2
57	BOLT	X11126	4
58	SCREW	X11124	9
59	GRUBSCREW	X11127	2
60	WASHER	X11029	12
61	LARGE WASHER	X11045	6
62	LOCK NUT	X11013	10
63	SCREW	X11093	3
64	WASHER	X11038	3
65	LOCK WASHER	X11040	3
66	SCREW	X11062	2

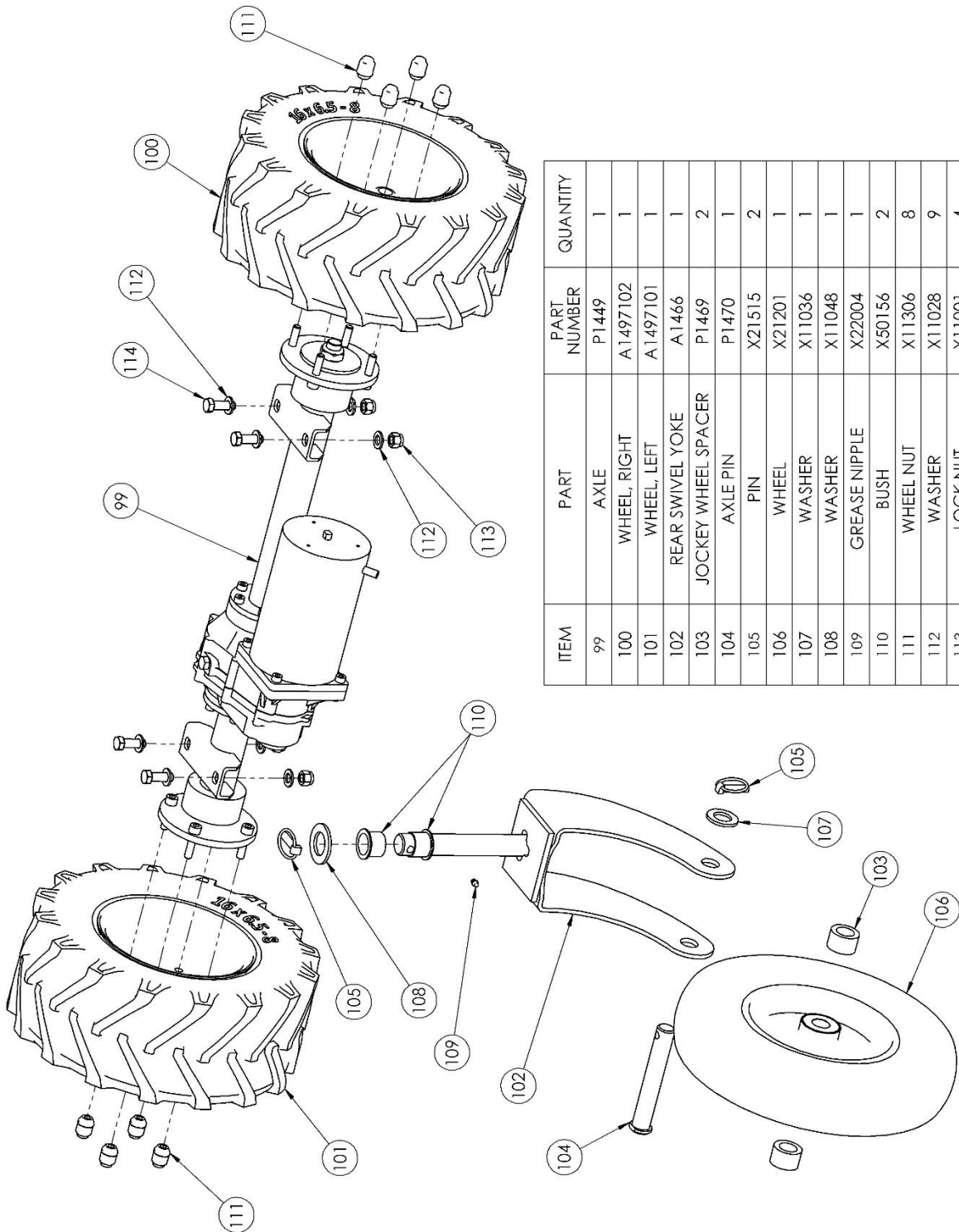
ITEM	PART	PART NUMBER	QUANTITY
35	SIDEPLATE, DRIVE SIDE	A1476	1
36	SIDEPLATE	A1477	1
37	BLOCK	P1358	2
38	DRIVE ROLLER	P1359	1
39	CONVEYOR BELT	P1360	1
40	SKIRT	P1361	2
41	COVER	P1363	1
42	DRIVE BELT COVER	P1478	1
43	STRAIGHT ROLLER	X21013	1
44	PROFILED ROLLER	X21014	1
45	BEARING	X21004	2
46	MOTOR PULLEY	X32301	1
47	DRIVE ROLLER PULLEY	X32302	1
48	DRIVE BELT	X32303	1
49	MOTOR	X50153	1
50	MOTOR BRUSH	X50020	2

1.4 BRUSH & ARM



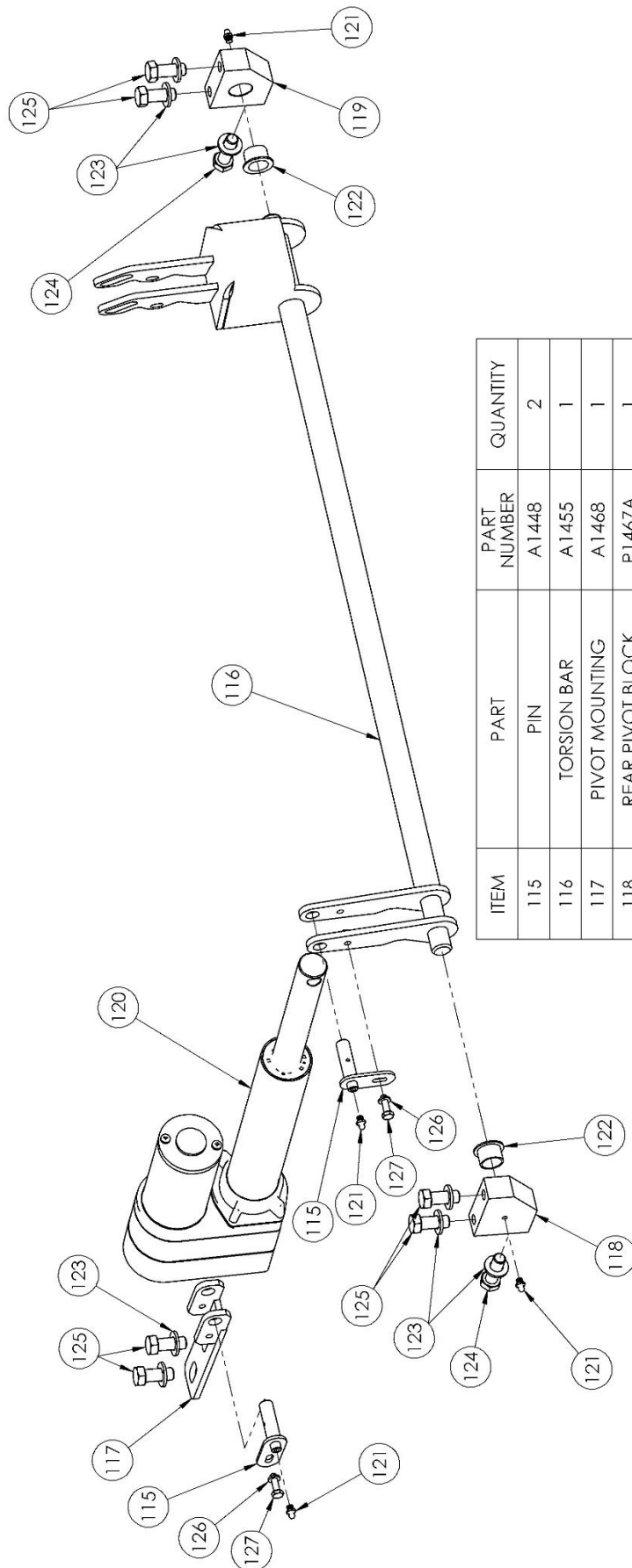
ITEM	PART	PART NUMBER	QUANTITY
67	LOWER BRUSH ARM	A1454	1
68	LOCATION PIN	A1442	1
69	PIN	X21518	1
70	ARM PIVOT PIN	A1447	1
71	BRUSH ADJUSTER ARM	A1446	1
72	MOTOR BRACKET	A1445	1
73	BRUSH PLATE	A1443	1
74	BRUSH MOTOR	X50082	1
75	LINK BAR	A1457	1
76	TRUNNION	P1456	1
77	BUSH	X50155	2
78	PIN	X21517	3
79	JOINT	X50110	1
80	SPRING	P149004	1
81	SPRING	P1499005	1
82	BRUSH	P1441	1
83	KEY	X21513	1
84	BUSH	X50154	2
85	PIN	X21516	2
86	WASHER	X11028	6
87	SCREW	X11077	1
88	WASHER	X11026	8
89	LOCK NUT	X11003	4
90	SCREW	X11057	2
91	SCREW	X11056	2
92	LARGE WASHER	X11043	1
93	WASHER	X11027	4
94	SCREW	X11116	5
95	WASHER	X11029	1
96	SCREW	X11098	1
97	GRUBSCREW	X11145	1
98	SCREW	X11062	1

1.5 WHEELS & AXLES



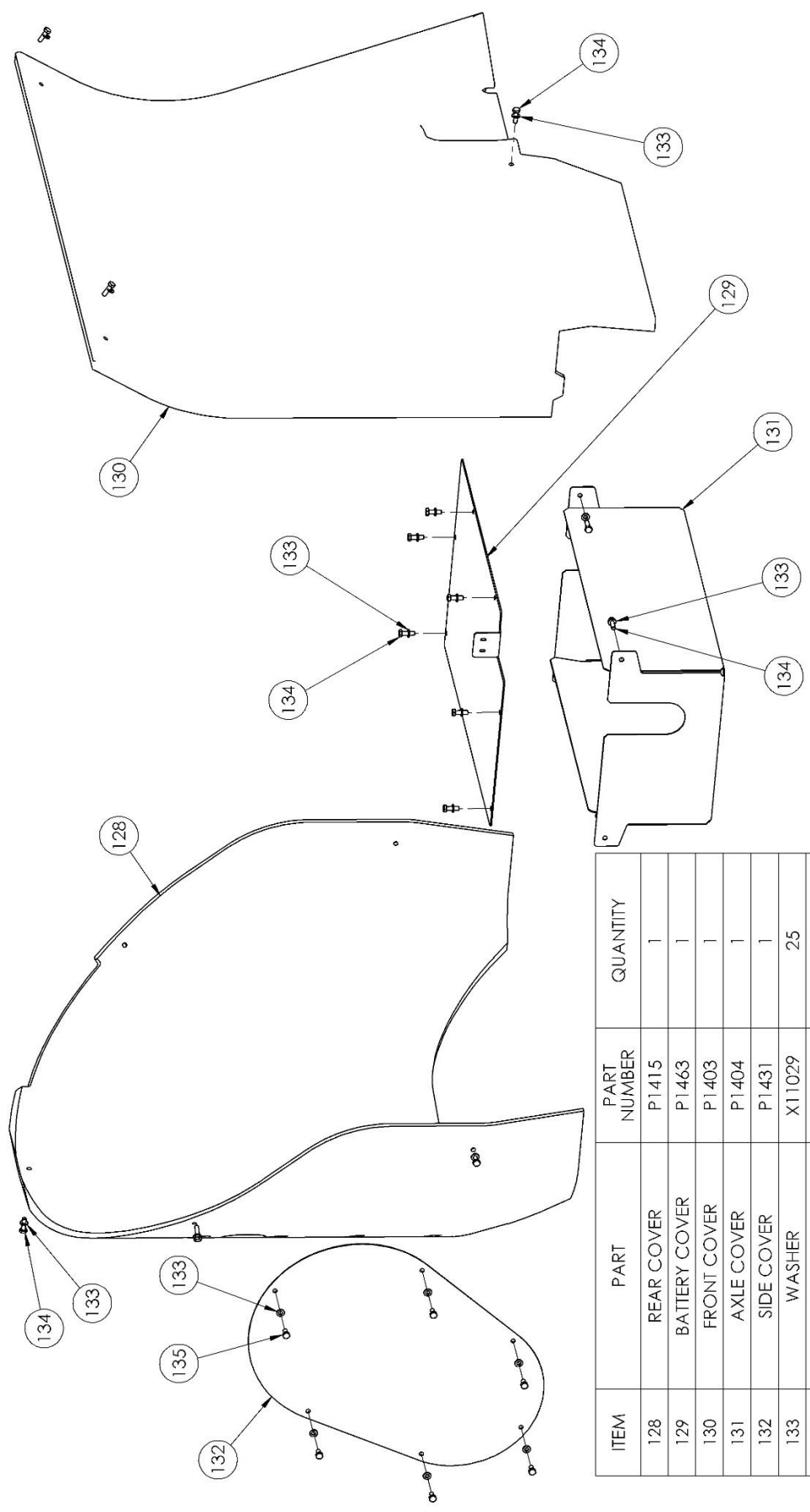
ITEM	PART NUMBER	QUANTITY
99	P1449	1
100	A1497102	1
101	A1497101	1
102	A1466	1
103	P1469	2
104	P1470	1
105	X21515	2
106	X21201	1
107	X11036	1
108	X11048	1
109	X22004	1
110	X50156	2
111	X11306	8
112	X11028	9
113	X11001	4
114	X11143	4

1.6 BRUSH ACTUATOR



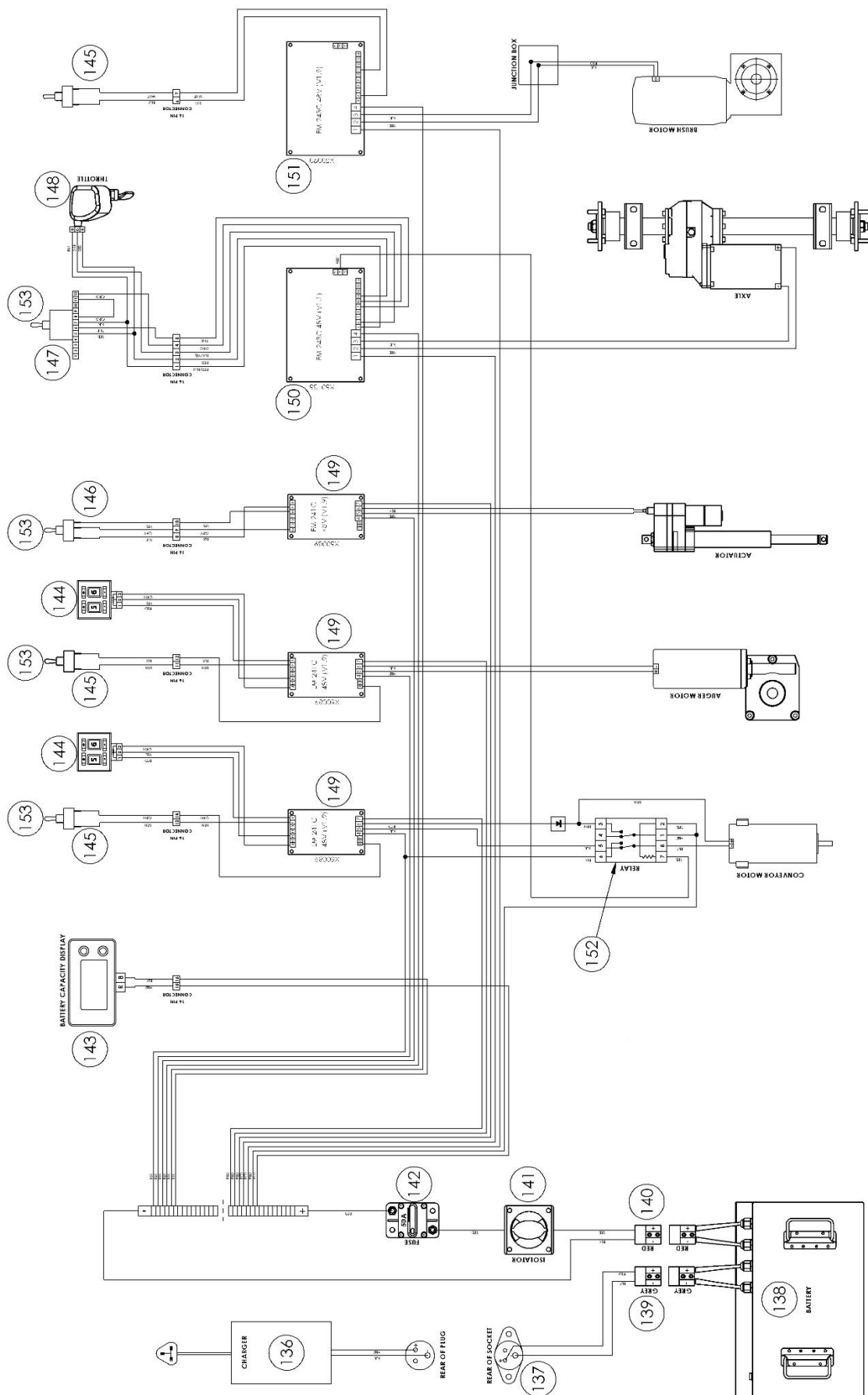
ITEM	PART	PART NUMBER	QUANTITY
115	PIN	A1448	2
116	TORSION BAR	A1455	1
117	PIVOT MOUNTING	A1468	1
118	REAR PIVOT BLOCK	P1467A	1
119	FRONT PIVOT BLOCK	P1467B	1
120	ACTUATOR	X50083	1
121	GREASE NIPPLE	X22004	4
122	BUSH	X50154	2
123	WASHER	X11028	8
124	SCREW	X11083	2
125	SCREW	X11079	6
126	WASHER	X11029	2
127	SCREW	X11098	2

1.7 COVERS AND PANELS



ITEM	PART	PART NUMBER	QUANTITY
128	REAR COVER	P1415	1
129	BATTERY COVER	P1463	1
130	FRONT COVER	P1403	1
131	AXLE COVER	P1404	1
132	SIDE COVER	P1431	1
133	WASHER	X11029	25
134	SCREW	X11098	19
135	SCREW	X11062	6

1.8 ELECTRICAL



ITEM	PART	PART NUMBER	QUANTITY
136	CHARGER	A1497001	1
137	SOCKET	P1499003	1
138	BATTERY	X50160	1
139	GREY CONNECTOR	X50170	1
140	RED CONNECTOR	X50070	1
141	ISOLATOR SWITCH	X50174	1
142	CIRCUIT BREAKER	X50111	1
143	BATTERY DISPLAY	X50173	1
144	SPEED CONTROL	X50101	2
145	SWITCH	P1496006	3
146	SWITCH	P1496005	1
147	SWITCH	P1496007	1
148	THUMB THROTTLE	X50171	1
149	MOTOR CONTROLLER	X50089	3
150	MOTOR CONTROLLER	X50135	1
151	MOTOR CONTROLLER	X50090	1
152	RELAY	X50175	1
153	SEALING BOOT	X50172	5