

# *Hybrid MKII*



- *Labour saving with consistency uncompromised*
- *Dispenses either side for efficiency and flexibility*
- *Different sizes to accommodate all machines*
- *Able to spread most bedding materials*
- *Conveyor or spinner option*

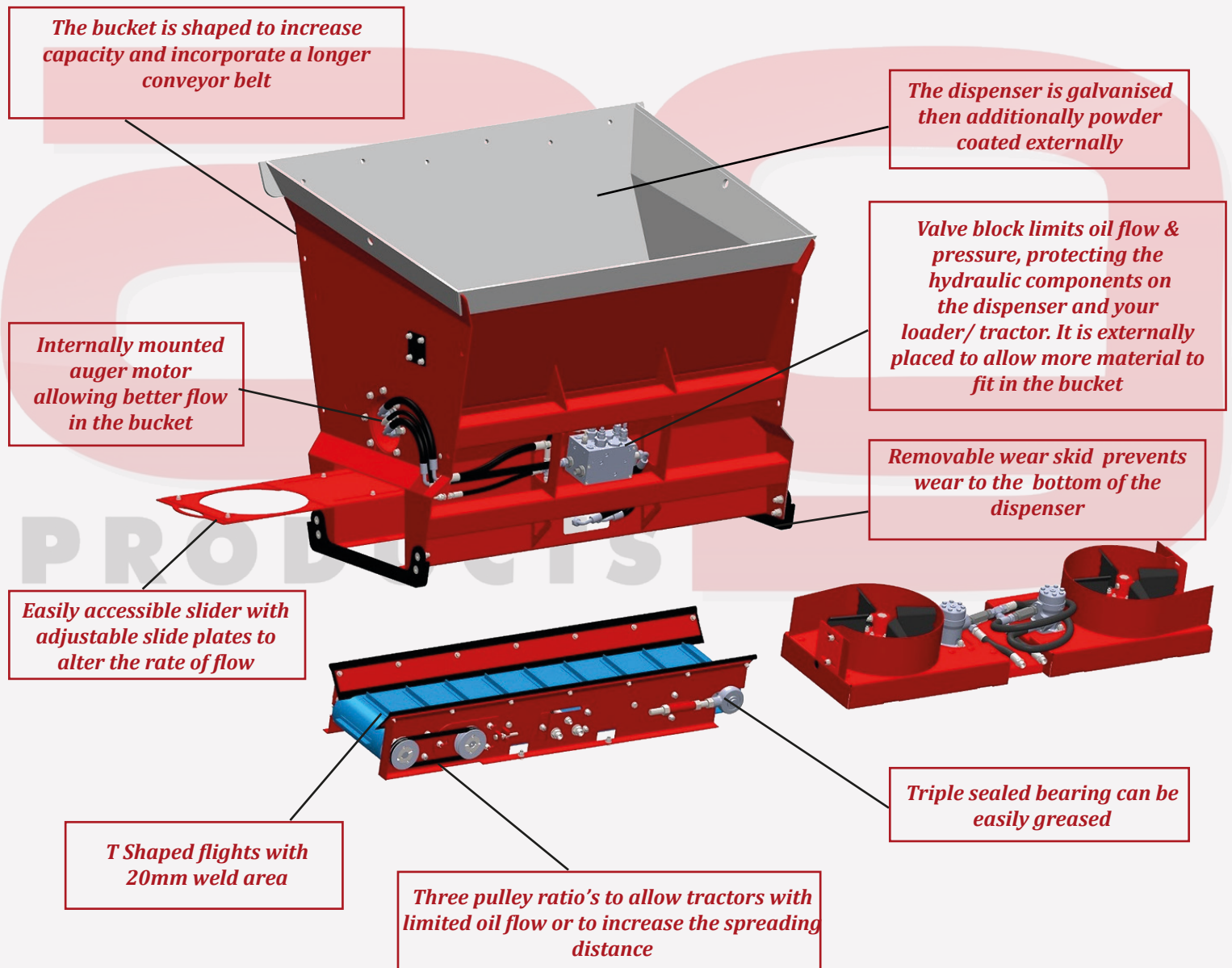


# Hybrid MKII

*With greater emphasis on cow comfort it is essential to make sure cubicles are well bedded and using an AG bedding dispenser is the most efficient way.*

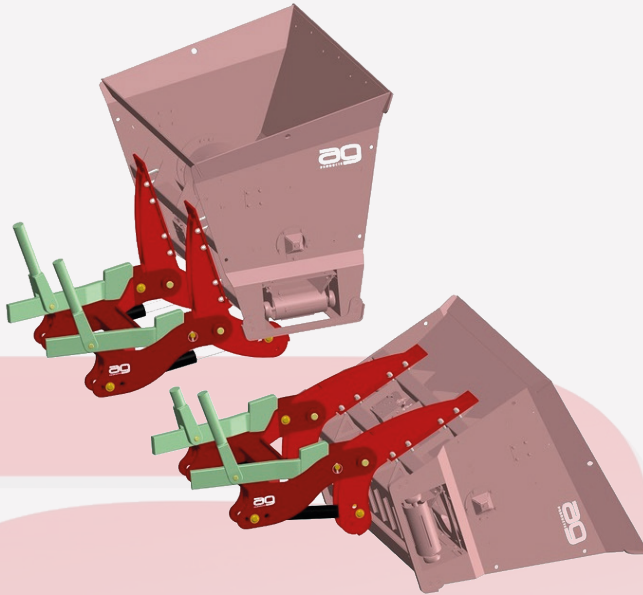
*The Hybrid MKII has been developed especially with this in mind, enabling dairy farmers to bed cubicles regularly with speed and ease, minimising dust and with an economical use of materials.*

*The results being comfortable, clean, happy and healthy cows, helping to meet the demand of Dairy Farm Assurance Schemes.*



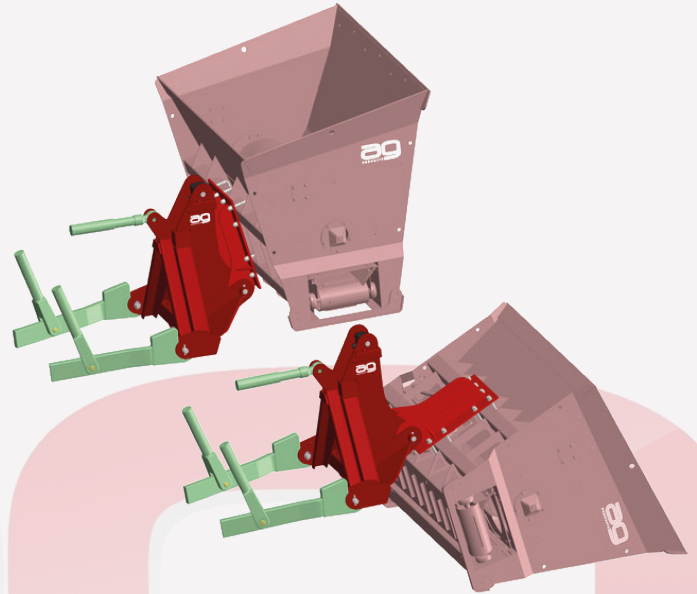
# Tilting Mechanisms

## 2 Point Tilt



- For use with larger tractors/dispensers (See specification sheet)
- 2 Hydraulic rams
- Sits the dispenser closer to the tractor, increasing stability.

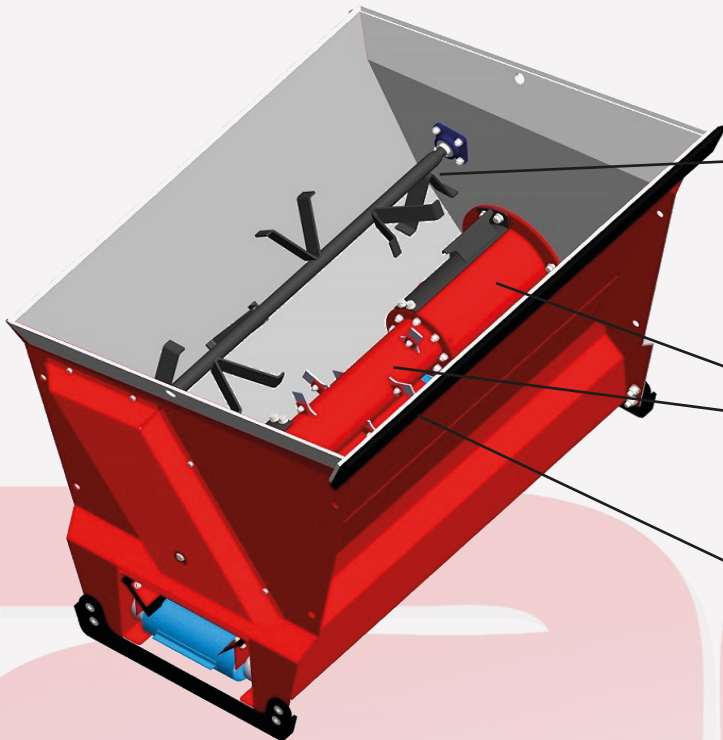
## 3 Point Tilt



- For use with smaller dispensers and tractors (See specification sheet)
- 3 point linkage/A frame
- Single hydraulic ram
- Optional spool block for tractors with only 1 spool



# Optional Extras

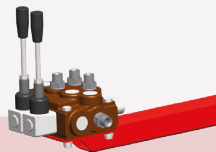


**Top Agitator**  
Allows larger particle sized products to be used; for example chopped straw, green bedding & some recycled materials

**Fingers & Paddles**  
Removal of the auger shell allows the fingers & paddles to be fitted for ease of using larger materials

**Bolt on Wear Blade**  
Protects the edge of the bucket to increase the lifespan of the machine

**Spool Block**  
Spool block for use with 3 point tilt for tractors with only 1 spool valve



# Brackets

Below are some of the brackets we stock. Contact us for any brackets not below.



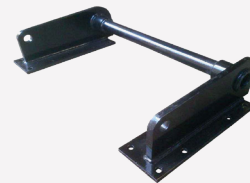
**Bobcat**



**Merlo**



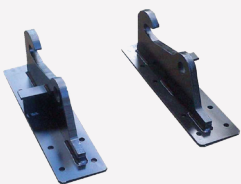
**Cone & Pin**



**Manitou**



**Kramer**



**JCB 406**



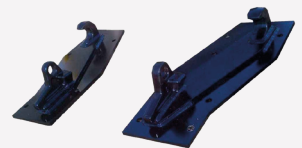
**JCB Q-Fit**



**JCB Tool Carrier**



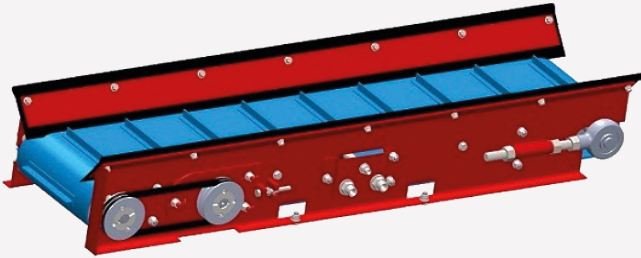
**Scorpion**



**Euro**

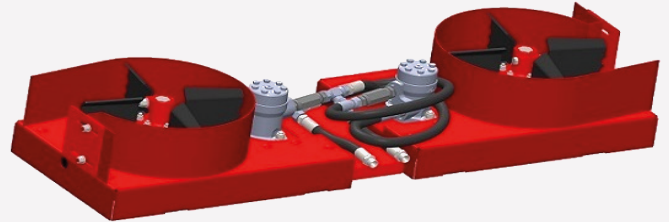
## *Distribution options*

### *Conveyor*



- *Triple sealed bearings*
- *Durable T section flights*
- *Suitable for most types of bedding*
- *Maximum output 2T/min (sand)*
- *Higher output than spinners*
- *Higher volume to bricket board which means less frequent bedding interval*

### *Spinner*



- *Triple sealed bearings*
- *Evenly distributed spread pattern*
- *Enhanced sand drying times resulting in cleaner cows*
- *Fewer wearing parts*
- *Maximum output 1T/min (sand)*
- *Designed for use with sand*



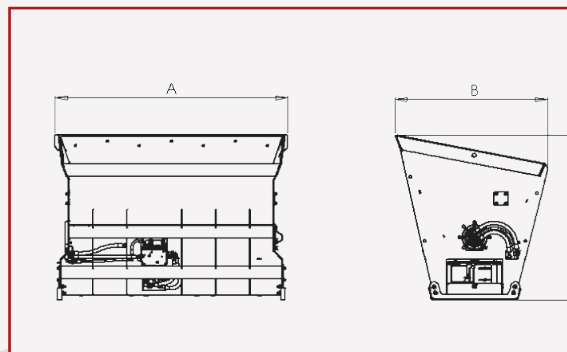
*Conveyor spread pattern*



*Spinner spread pattern*

# Specifications

	AG125 Hybrid	AG150 Hybrid	AG175 Hybrid	AG200 Hybrid
Capacity (m <sup>3</sup> )	0.93	1.10	1.30	1.50
Unladen weight (kg)	454	548	718	789
Width A (m)	1.46	1.71	1.96	2.21
Depth B (m)	1.12	1.12	1.13	1.13
Height C (m)	1.23	1.23	1.23	1.23



Machine used	Light materials (sawdust etc)				Heavy Materials (sand etc)			
	AG125 Hybrid	AG150 Hybrid	AG175 Hybrid	AG200 Hybrid	AG125 Hybrid	AG150 Hybrid	AG175 Hybrid	AG200 Hybrid
Skid steer	✓	✓	✓		✓	✓		
Front end loader		✓	✓		✓	✓		
Compact loader	✓	✓	✓		✓	✓		
Telehandler			✓	✓			✓	✓
3 point tilt	✓	✓	✓		✓	✓		
2 point tilt			✓	✓			✓	✓

## Also by AG...



**Mini and Maxi**



**Easiscrape**



**FS200/FS200 Xtra**

For more information please contact us

Tel: 01565 722922

E-Mail: [Enquiries@ag-products.co.uk](mailto:Enquiries@ag-products.co.uk)

Web: [www.ag-products.co.uk](http://www.ag-products.co.uk)